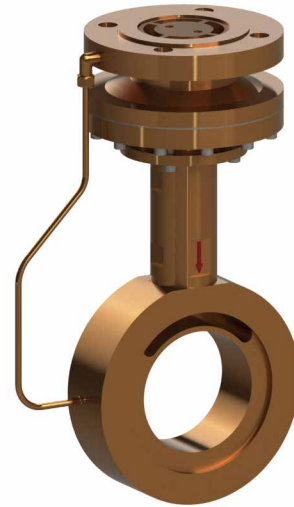


## PP Series Pump Proportioner

Surex pump proportioning systems function by maintaining equal pressures in the foam concentrate and water inlets to the proportioner. This proportioner to be used over a wide range of flows and pressures. The system also responds quickly and accurately to changes in the water inlet pressures and flow rates.

The system utilizes a positive displacement foam pump to pressurize foam concentrate within the supply manifold. A pressure control valve, located in the return line to the foam concentrate storage tank, is set to maintain a regulate pressure in the supply manifold at a minimum of 1 bar(14.5 psi) to 4 bar(58 psi) higher than the maximum pressure in the water supply line.



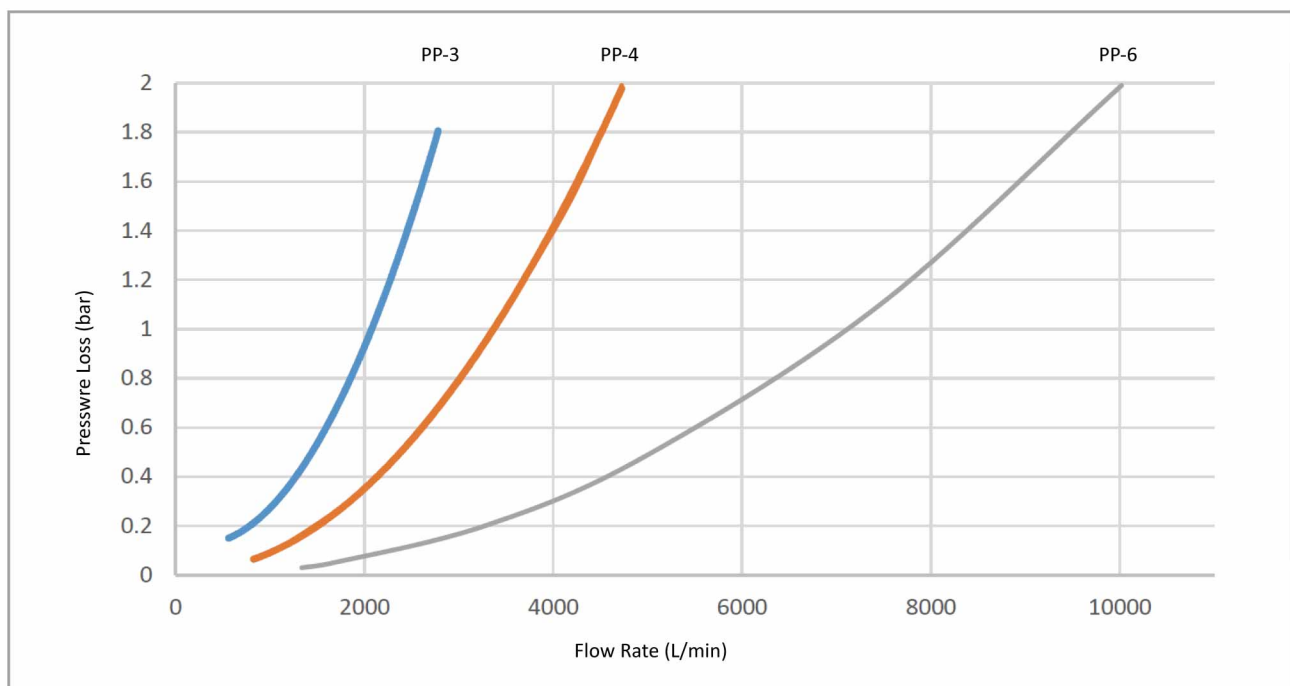
- Designed to meet the proportioning requirements of GB50151 EN 13565-1; NFPA16 .
- Bronze material.
- Wafer type water connetion.
- Flanged or screw threaded BSP (or NPT) foam connection.
- Contact Surex for approval processing.
- Max working pressure: 20.7bar (300psi)
- Used with AFFF, AR-AFF and Fluorine-Free Foam Concentrate.
- Proportioning Rate: 1%, 3%, 6%.

### Performance

Size	Proportioning Rate	Flow Rate   L/min	
		min	max.
-	-		
PP-3	1%,3%,6%	210	2040
PP-4	1%,3%,6%	540	6300
PP-6	1%,3%,6%	1200	10000
PP-8	1%,3%,6%	2400	27000
PP-10	1%,3%,6%	4800	38400

\* The Actual Flow Rate Range will depend on foam Concentrate, proportioning rate, and pressure loss.

### Proportioner Information



ООО «ТИ-СИСТЕМС» ИНЖИНИРИНГ И ПОСТАВКА ТЕХНОЛОГИЧЕСКОГО ОБОРУДОВАНИЯ

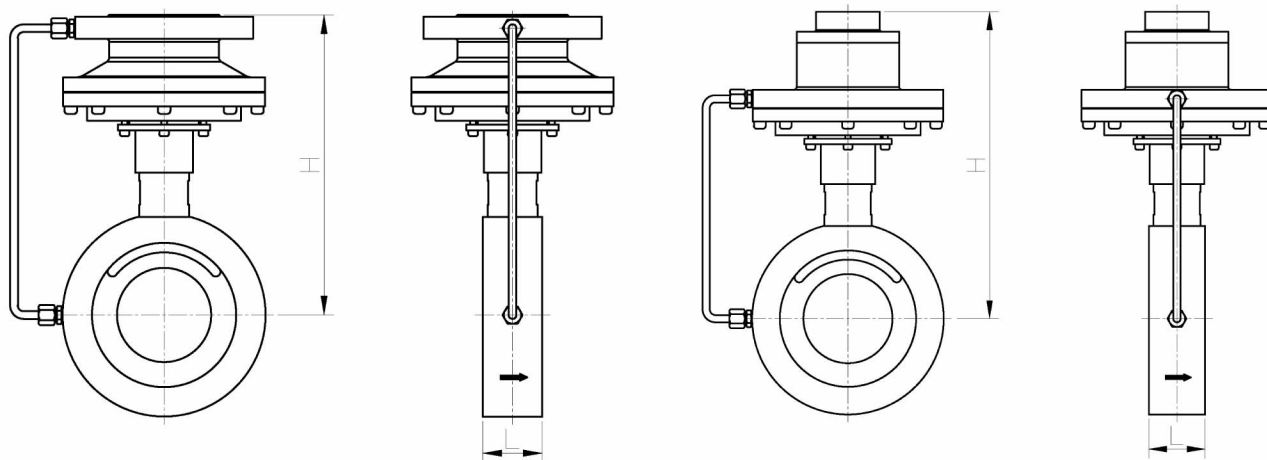
• Please Contact Surex for details

Интернет: [www.tisys.ru](http://www.tisys.ru) [www.tisys.kz](http://www.tisys.kz) [www.tisys.by](http://www.tisys.by) [www.tesec.ru](http://www.tesec.ru) [www.ти-системс.рф](http://www.ти-системс.рф)

Телефоны: +7 (495) 7774788, 7489626, (925) 5007155, 54, 65

Эл. почта: [info@tisys.ru](mailto:info@tisys.ru) [info@tisys.kz](mailto:info@tisys.kz) [info@tisys.by](mailto:info@tisys.by)

## PP Series Pump Proportioner



Size	PP-3	PP-4	PP-6	PP-8	PP-10
A(mm)	224	287	338	460	527
B(mm)	37	62	62	82	82
C*	G1"	G½"	G2"	G2½"	G3"
D(mm)	133	156	211	265	320